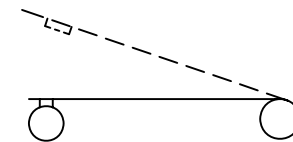
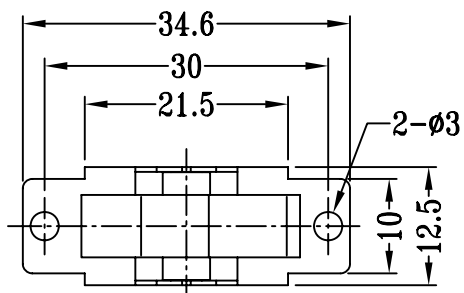
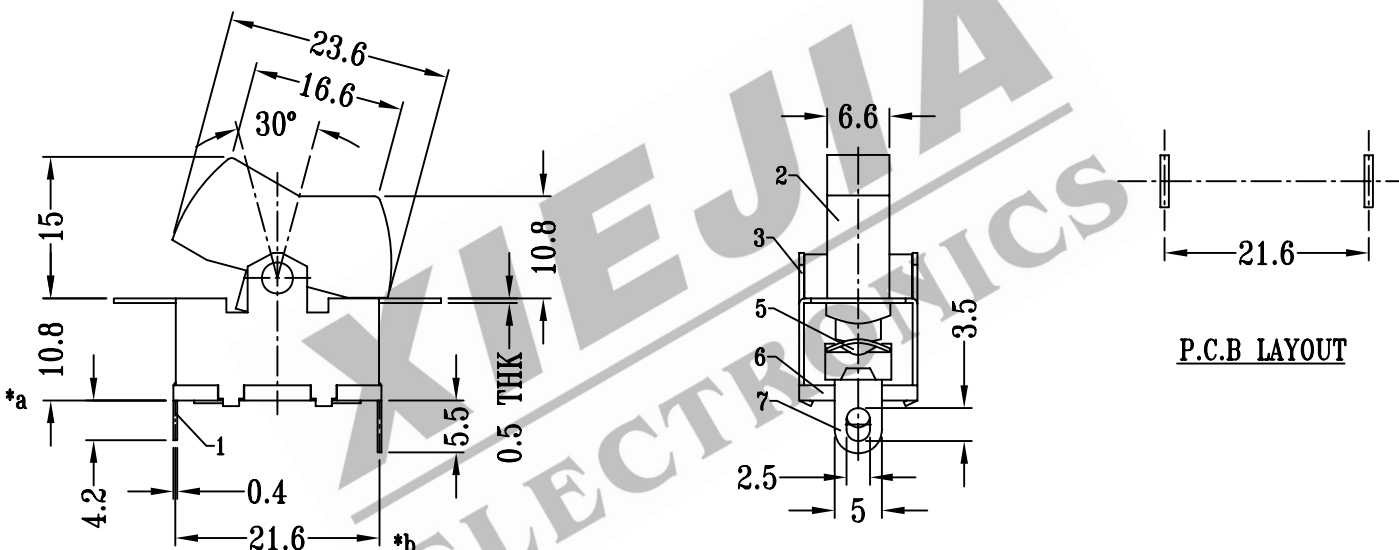


CAD FILE :



**SCHMATIC**



**P.C.B LAYOUT**

10	CONTACT B	BRASS STRIP	1	Ag PLATED
9	SPRING	STEEL WIRE	1	TEMPER
8	STEEL BALL	STEEL	1	NATURAL
7	TERMINAL B	BRASS STRIP	1	Ag PLATED OVER Ni PLATED
6	TERMINAL BASE	PHENOLII RESIN	1	NATURAL
5	CONTACT A	BRASS	2	Ag PLATED
4	SOCKET	COPPER	2	Ag PLATED
3	FRAME	STEEL STRIP	1	Ni PLATED
2	KNOB	PC	1	BLACK
1	TERMINAL A	BRASS STRIP	1	Ag PLATED OVER Ni PLATED
NO.	PART NAME	MATERIAL	QTY.	FINISHING

注：“\*”表示关键尺寸（2个）

TOLERANCE UNLESS SPECIFIED		SHENZHEN XIEJIA ELECTRONICS CO.,LTD.		
WITHIN : 1.5±0.1mm OVER : 1.5±0.2mm		ISSUE	DATE	DESCRIPTIONS
TITLE: ROCKET SWITCH		UNIT : M M	DRWG NO : XJ-DR-RS1139-00	
MODEL: RS-1139		SCALE : 5:4	DWN.	ZHOUYU 2002-6-12
ALL MATERIALS MUST BE COMPLIANT TO ROHS		APPD.	KANGXINAN	2002-6-12